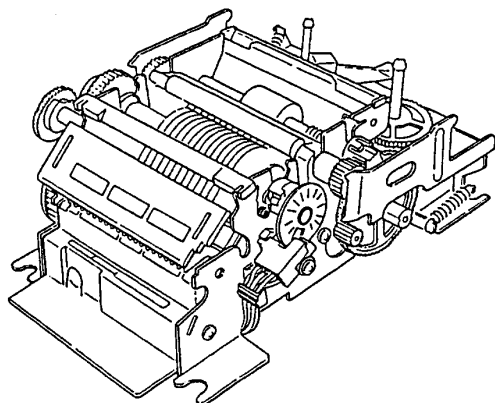


# SHARP SERVICE MANUAL

CODE : 00ZM405RSM/E



## MODEL M-405R

### CONTENTS

CHAPTER 1. SPECIFICATIONS AND OPERATING PRINCIPLES .....	1 - 1	2-5. Repair .....	2 - 4
1-1. Overview .....	1 - 1	2-5-1. Repair levels .....	2 - 4
1-1-1. Features .....	1 - 1	2-5-2. Repair procedures .....	2 - 4
1-1-2. Specifications .....	1 - 1	2-5-3. Repair guideline .....	2 - 5
1-1-3. Mechanisms .....	1 - 2	CHAPTER 3. DISASSEMBLY, ASSEMBLY AND ADJUSTMENTS .....	3 - 1
1-2. Operating principles .....	1 - 2	3-1. Disassembly .....	3 - 1
1-2-1. Transmission mechanism .....	1 - 2	3-2. Assembly .....	3 - 1
1-2-2. Detection mechanism .....	1 - 2	3-2-1. Subassembly .....	3 - 2
1-2-3. Print mechanism .....	1 - 4	Ribbon unit .....	3 - 2
1-2-4. Paper feeding mechanism .....	1 - 5	3-2-2. Main assembly .....	3 - 4
1-2-5. Ribbon feeding mechanism .....	1 - 7	Main assembly A Paper feeding mechanism ..	3 - 4
1-2-6. Printer operation in one print cycle initialization .....	1 - 7	Main assembly B Print mechanism .....	3 - 6
CHAPTER 2. HANDLING, MAINTENANCE AND REPAIR .....	2 - 1	Main assembly C Gear trains .....	3 - 7
2-1. Handling the printer .....	2 - 1	Main assembly D Motor and typewheel ass'y .....	3 - 9
2-1-1. Precautions on printer handling .....	2 - 1	Main assembly E Timing detector ass'y .....	3 - 11
2-1-2. Paper setting .....	2 - 1	Main assembly F Ribbon feeding mechanism ..	3 - 11
2-1-3. Installation/removal of the ribbon .....	2 - 2	Main assembly G Typewheel guide .....	3 - 13
2-2. Maintenance .....	2 - 2	Main assembly H Soldering .....	3 - 13
2-2-1. Cleaning .....	2 - 2	3-3. Adjustments .....	3 - 14
2-2-2. Inspection .....	2 - 3	Adjustment A Position of the timing detector ass'y .....	3 - 14
2-3. Lubrication .....	2 - 3	Fig. 3-1. Exploded view of M-405R .....	3 - 15
2-3-1. Lubricant types .....	2 - 3	Fig. 3-2. Lubrication points of M-405R .....	3 - 17
2-3-2. Lubrication requirements .....	2 - 3	PARTS GUIDE (M-405R "2.25" : KI-OB2005BHZZ)	
2-3-3. Lubrication points .....	2 - 4		
2-4. Tools and lubricants .....	2 - 4		
2-4-1. List of tools .....	2 - 4		
2-4-2. List of lubricants .....	2 - 4		

Parts marked with "△" are important for maintaining the safety of the set. Be sure to replace these parts with specified ones for maintaining the safety and performance of the set.

This is a “Table of Contents preview” for quality assurance

The full manual can be purchased from our store:

[https://the-checkout-tech.com/manuals/sharp/M-405R internal printer service manual.htm](https://the-checkout-tech.com/manuals/sharp/M-405R%20internal%20printer%20service%20manual.htm)

And our free Online Keysheet maker:

<https://the-checkout-tech.com/Cash-Register-Keysheet-Creator/>

[HTTPS://THE-CHECKOUT-TECH.COM](https://THE-CHECKOUT-TECH.COM)